

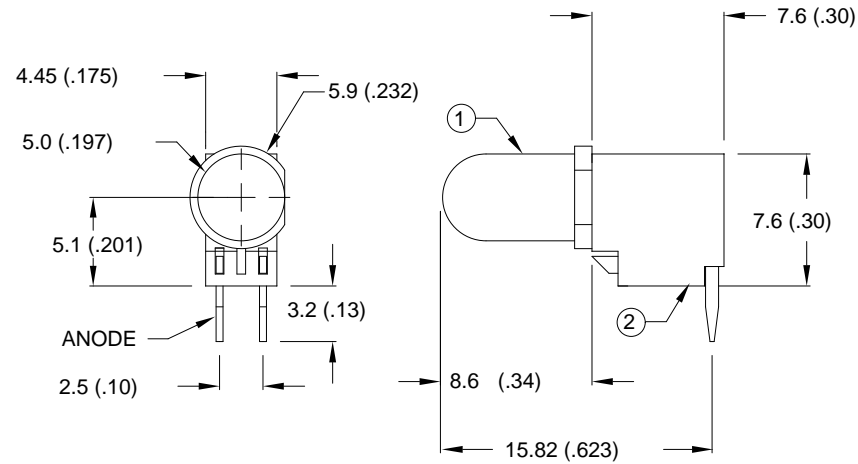
DATE

REVISIONS

REV

DRAWING NUMBER  
SSF-LXH4RA5XX

REV



## NOTES:

1. SSL-LX5093XX LED.
2. IFS-LX4FRA-1 LAMP SOCKET.
3. CUT LED LEADS 5mm LONG.
4. ASSEMBLE IN SOCKET, POLARITY AS SHOWN.

UNLESS OTHERWISE SPECIFIED TOLERANCE IS  $\pm 0.25\text{mm}$  ( $\pm 0.010''$ )

MS/SS

**LUMEX**  
OPTO COMPONENTS INC.

290 E. HELLEN ROAD  
PALATINE, ILLINOIS 60067  
(847) 359-2790

CONFIDENTIAL INFORMATION  
THE INFORMATION CONTAINED IN THIS DOCUMENT IS THE PROPERTY OF LUMEX OPTO/COMPONENTS, INC. EXCEPT AS SPECIFICALLY AUTHORIZED IN WRITING BY LUMEX OPTO/COMPONENTS, INC., THE HOLDER OF THIS DOCUMENT SHALL KEEP ALL INFORMATION CONTAINED HEREIN CONFIDENTIAL AND SHALL PROTECT SAME IN WHOLE OR IN PART FROM DISCLOSURE AND DISSEMINATION TO ALL THIRD PARTIES.

DATE: 7-3-97	DWN:	CHK'D:	APPD:
SCALE: N/A			

T-1 3/4 LAMP, YELLOW DIFFUSED, FAULT INDICATOR

PAGE 1 OF 1

DRAWING NUMBER  
SSF-LXH4RA5XX

REV